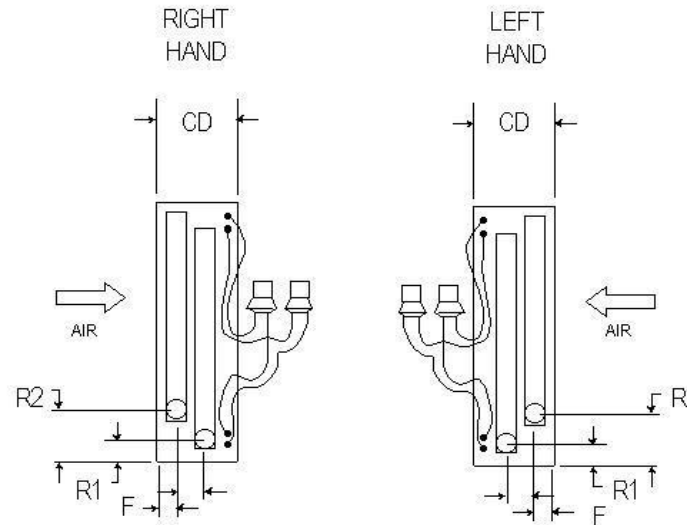
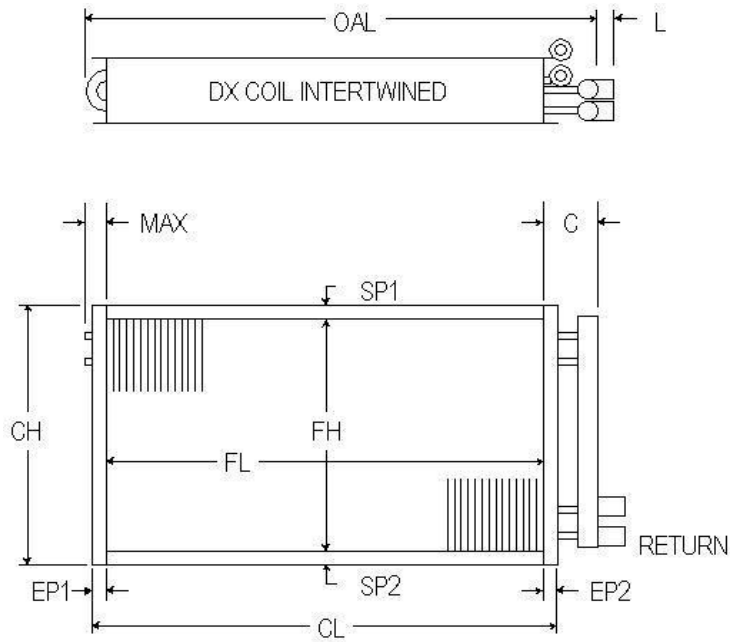


## DX COILS INTERTWINED



|                           |                        |       |       |      |    |
|---------------------------|------------------------|-------|-------|------|----|
| ROWS AVAILABLE            | 1                      | 2     | 3     | 4    | 5  |
|                           | 6                      | 8     | 10    | 12   |    |
| FPI AVAILABLE             | 6                      | 7     | 8     | 9    | 10 |
|                           | 11                     | 12    | 13    | 14   |    |
| TUBES OD & Wall Thickness | 5/8                    | .020  |       | .025 |    |
| COPPER ONLY               | 1/2                    | .035  |       | .049 |    |
| FINS Material & Thickness | ALUM.                  | .006  |       | .010 |    |
|                           | COPPER                 | .006  |       |      |    |
| CASING                    | 16 GA. GALV. STEEL     |       |       |      |    |
|                           | 16 GA. STAINLESS STEEL |       |       |      |    |
| HEADERS COPPER ONLY       | 5/8                    | 7/8   | 1 1/8 |      |    |
|                           | 1 3/8                  | 1 5/8 | 2 1/8 |      |    |
|                           | 2 5/8                  | 3 1/8 |       |      |    |

### DIMENSIONAL DATA IN INCHES

### RETURN

### CONNECTION SIZES SWEAT

| ITEM | QTY | ROWS | FPI | SP1 | FH | SP2 | CH | EP1 | FL | EP2 | CL | MAX | C | OAL | L | CD | R | F | DISTRIBUTORS | RETURN | CU |
|------|-----|------|-----|-----|----|-----|----|-----|----|-----|----|-----|---|-----|---|----|---|---|--------------|--------|----|
|      |     |      |     |     |    |     |    |     |    |     |    |     |   |     |   |    |   |   |              |        |    |

|             |  |  |  |  |  |  |  |           |  |  |  |  |  |  |  |  |  |  |  |
|-------------|--|--|--|--|--|--|--|-----------|--|--|--|--|--|--|--|--|--|--|--|
| P.O. #      |  |  |  |  |  |  |  | CUSTOMER  |  |  |  |  |  |  |  |  |  |  |  |
| W.O. #      |  |  |  |  |  |  |  | MODEL NO. |  |  |  |  |  |  |  |  |  |  |  |
| APPROVED BY |  |  |  |  |  |  |  | TAG:      |  |  |  |  |  |  |  |  |  |  |  |
| DATE        |  |  |  |  |  |  |  | NOTES     |  |  |  |  |  |  |  |  |  |  |  |

**PRECISION  
COILS**  
Right Fit. Right Now.

|                  |     |  |     |  |                 |  |             |  |          |  |
|------------------|-----|--|-----|--|-----------------|--|-------------|--|----------|--|
| Performance Data | CFM |  | EAT |  | EVAPORATOR TEMP |  | REFRIGERANT |  | CAPACITY |  |
|------------------|-----|--|-----|--|-----------------|--|-------------|--|----------|--|