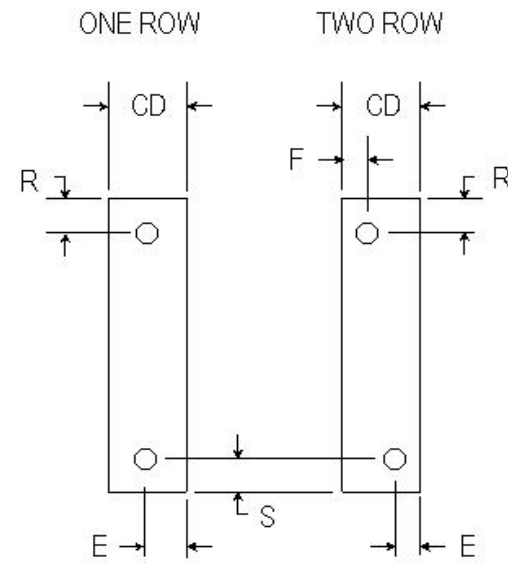
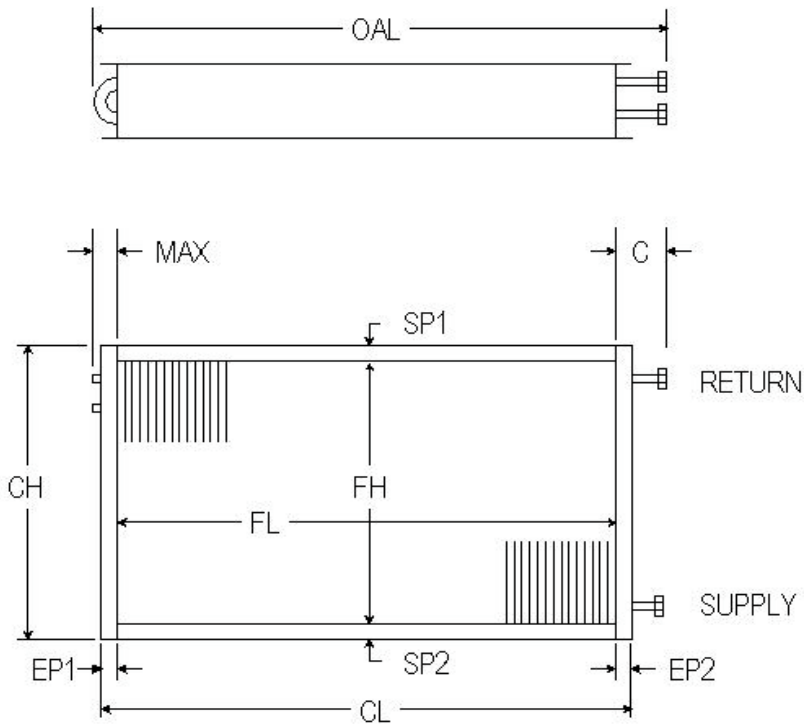



BOOSTER COILS



ROWS AVAILABLE	1	2
FPI AVAILABLE	8	10 12
TUBES OD & Wall Thickness <i>COPPER ONLY</i>	5/8	.020
	1/2	.016
FINS Material & Thickness	ALUM.	.006 .010
	COPPER	.006
CASING	16 GA. GALV. STEEL 16 GA. STAINLESS STEEL	
MODEL NO. (Example)	W - Water 8 - 8 fpi 1 - 1 row 12 - Fin Height 24 - Fin Length N - Non Headered	

DIMENSIONAL DATA IN INCHES													OAL = MAX + FL + C			CONNECTION SIZES		
ITEM	QTY	ROWS	FPI	SP1	FH	SP2	CH	EP1	FL	EP2	CL	CD	MAX	C	OAL	SUPPLY	RETURN	CU
				1		1		1		1		4	2 1/4	5				
P.O. #							CUSTOMER							 <p>13745 Hwy. 59 North • Somerville, TN 38068 Phone: 901.465.5900 • Fax: 901.465.5909 www.precision-coils.com</p>				
W.O. #							MODEL NO.											
APPROVED BY							TAG:											
DATE							NOTES											
Performance Data		CFM		EDB/EWB		LDB/LWB		CAPACITY		EWT		LWT		GPM				