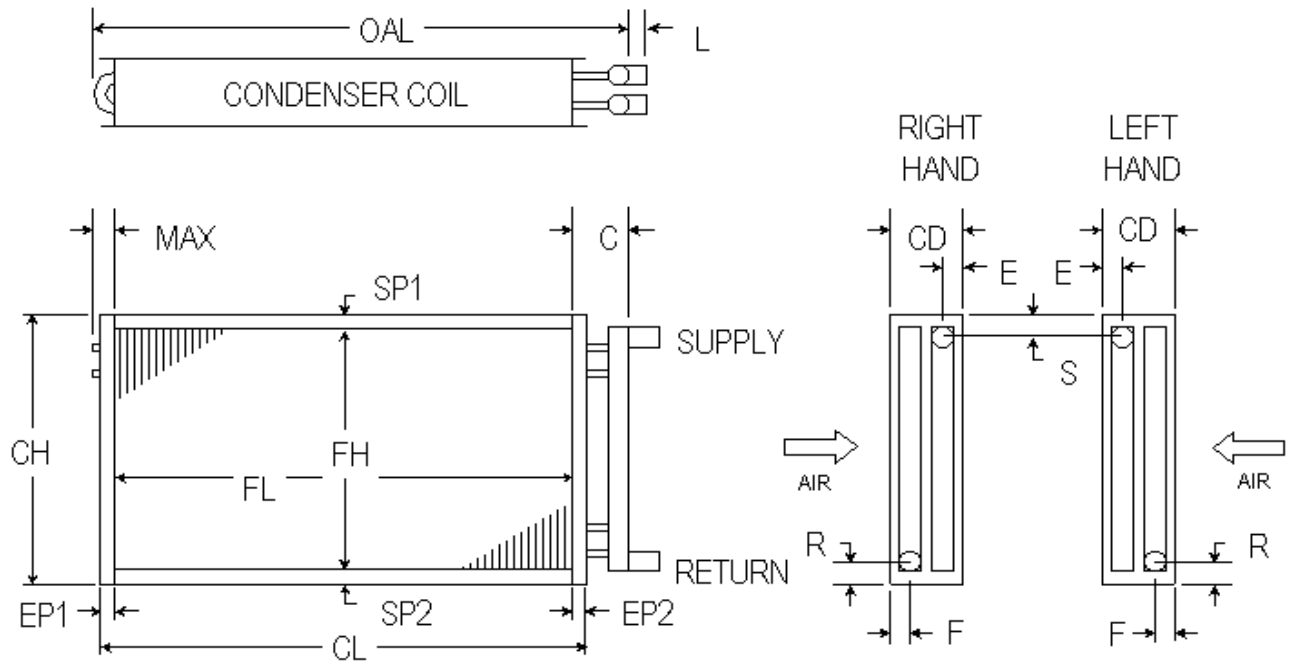


CONDENSER COILS



ROWS AVAILABLE	1	2	3	4	5
	6	8	10	12	
FPI AVAILABLE	6	7	8	9	10
	11	12	13	14	
TUBES OD & Wall Thickness	5/8	.020		.025	
<i>COPPER ONLY</i>	1/2	.035		.049	
FINS Material & Thickness	ALUM.	.006		.010	
	COPPER	.006			
CASING	16 GA. GALV. STEEL				
	16 GA. STAINLESS STEEL				
HEADERS <i>COPPER ONLY</i>	5/8	7/8	1 1/8		
	1 3/8	1 5/8	2 1/8		
	2 5/8	3 1/8			

DIMENSIONAL DATA IN INCHES

SUPPLY RETURN

CONNECTION SIZES SWEAT

ITEM	QTY	ROWS	FPI	SP1	FH	SP2	CH	EP1	FL	EP2	CL	MAX	C	OAL	L	CD	S	E	R	F	SUPPLY	RETURN	CU

P.O. #											CUSTOMER										
W.O. #											MODEL NO.										
APPROVED BY											TAG:										
DATE											NOTES										



PRECISION COILS

13745 Hwy. 59 North • Somerville, TN 38068
 Phone: 901.465.5900 • Fax: 901.465.5909
 www.precision-coils.com

Performance Data	CFM		EAT		EVAPORATOR TEMP		REFRIGERANT		CAPACITY	
------------------	-----	--	-----	--	-----------------	--	-------------	--	----------	--