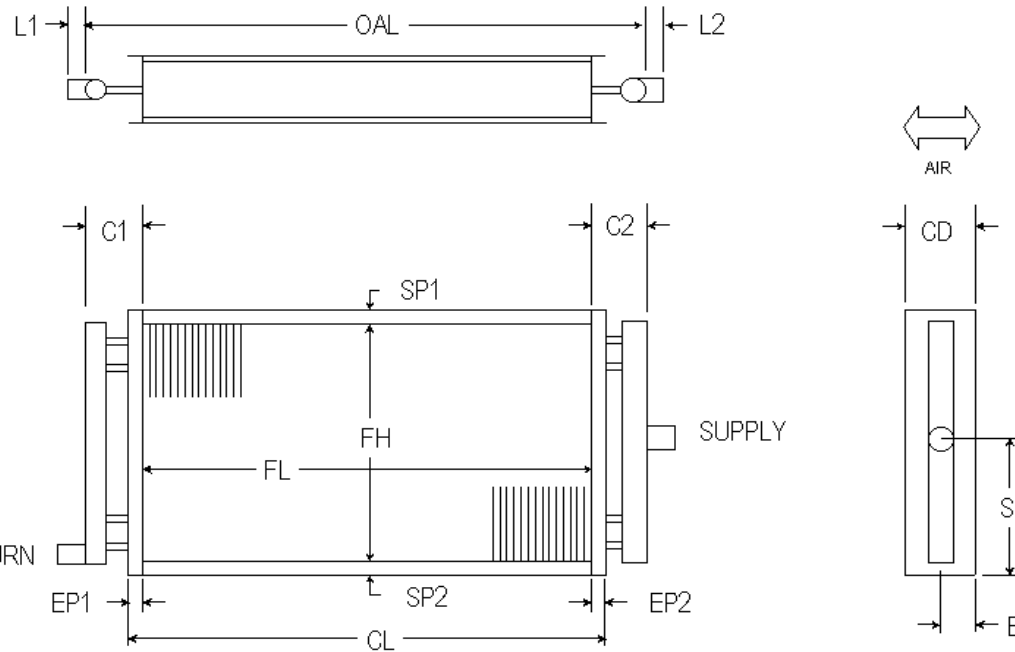


STEAM COILS OPPOSITE END



ROWS AVAILABLE	1	2			
FPI AVAILABLE	6 11	7 12	8 13	9 14	10
TUBES OD & Wall Thickness <i>COPPER ONLY</i>	5/8	.020 .035	.025 .049		
FINS Material & Thickness	ALUM. COPPER	.006	.010 .006		
CASING	16 GA. GALV. STEEL 16 GA. STAINLESS STEEL				
HEADERS <i>COPPER ONLY</i>	5/8 1 3/8 2 5/8	7/8 1 5/8 3 1/8	1 1/8 2 1/8		

DIMENSIONAL DATA IN INCHES

DIMENSIONAL DATA IN INCHES																	SUPPLY		RETURN		CONNECTION SIZES			
ITEM	QTY	ROWS	FPI	SP1	FH	SP2	CH	EP1	FL	EP2	CL	C1	C2	OAL	L1	L2	CD	S	E	R	F	SWEAT		CU
																						MPT		
P.O. #								CUSTOMER																
W.O. #								MODEL NO.																
APPROVED BY								TAG:																
DATE								NOTES																
Performance Data	CFM			EAT				LAT						CAPACITY									STEAM PRESSURE (psig)	



13745 Hwy. 59 North • Somerville, TN 38068
Phone: 901.465.5900 • Fax: 901.465.5909
www.precision-coils.com