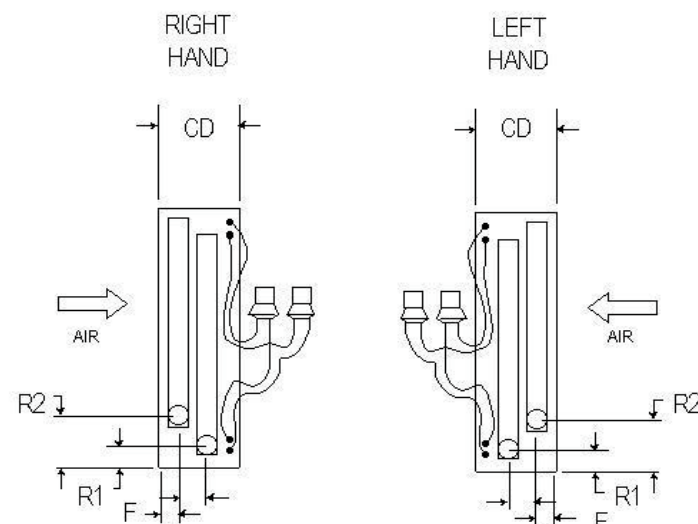
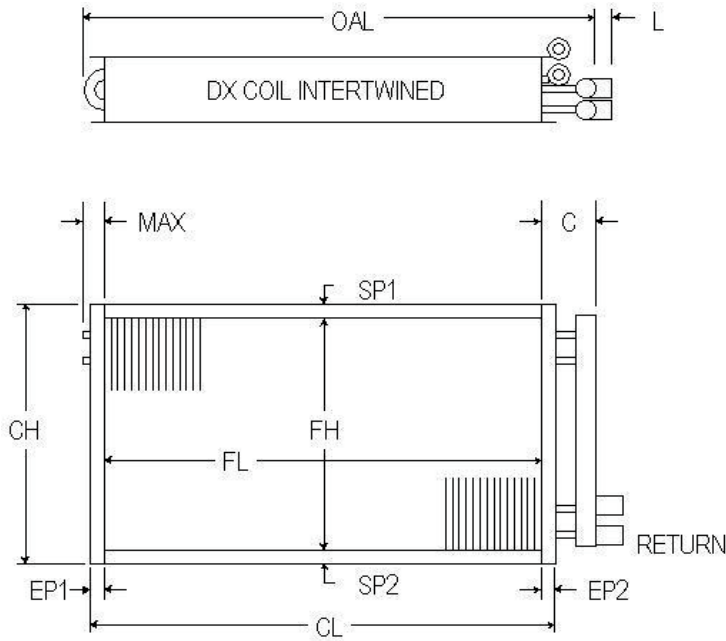


DX COILS INTERTWINED



ROWS AVAILABLE	1	2	3	4	5
	6	8	10	12	
FPI AVAILABLE	6	7	8	9	10
	11	12	13	14	
TUBES OD & Wall Thickness <i>COPPER ONLY</i>	5/8	.020	.025		
	1/2	.016			.049
FINS Material & Thickness	ALUM.	.006	.010		
	COPPER	.006			
CASING	16 GA. GALV. STEEL				
	16 GA. STAINLESS STEEL				
HEADERS <i>COPPER ONLY</i>	5/8	7/8	1 1/8		
	1 3/8	1 5/8	2 1/8		
	2 5/8	3 1/8			

DIMENSIONAL DATA IN INCHES																RETURN		CONNECTION SIZES SWEAT			
ITEM	QTY	ROWS	FPI	SP1	FH	SP2	CH	EP1	FL	EP2	CL	MAX	C	OAL	L	CD	R	F	DISTRIBUTORS	RETURN	CU
P.O. #								CUSTOMER												<p style="font-size: small; margin-top: 5px;">13745 Hwy. 59 North • Somerville, TN 38068 Phone: 901.465.5900 • Fax: 901.465.5909 www.precision-coils.com</p>	
W.O. #								MODEL NO.													
APPROVED BY								TAG:													
DATE								NOTES													
Performance Data	CFM				EAT															CAPACITY	