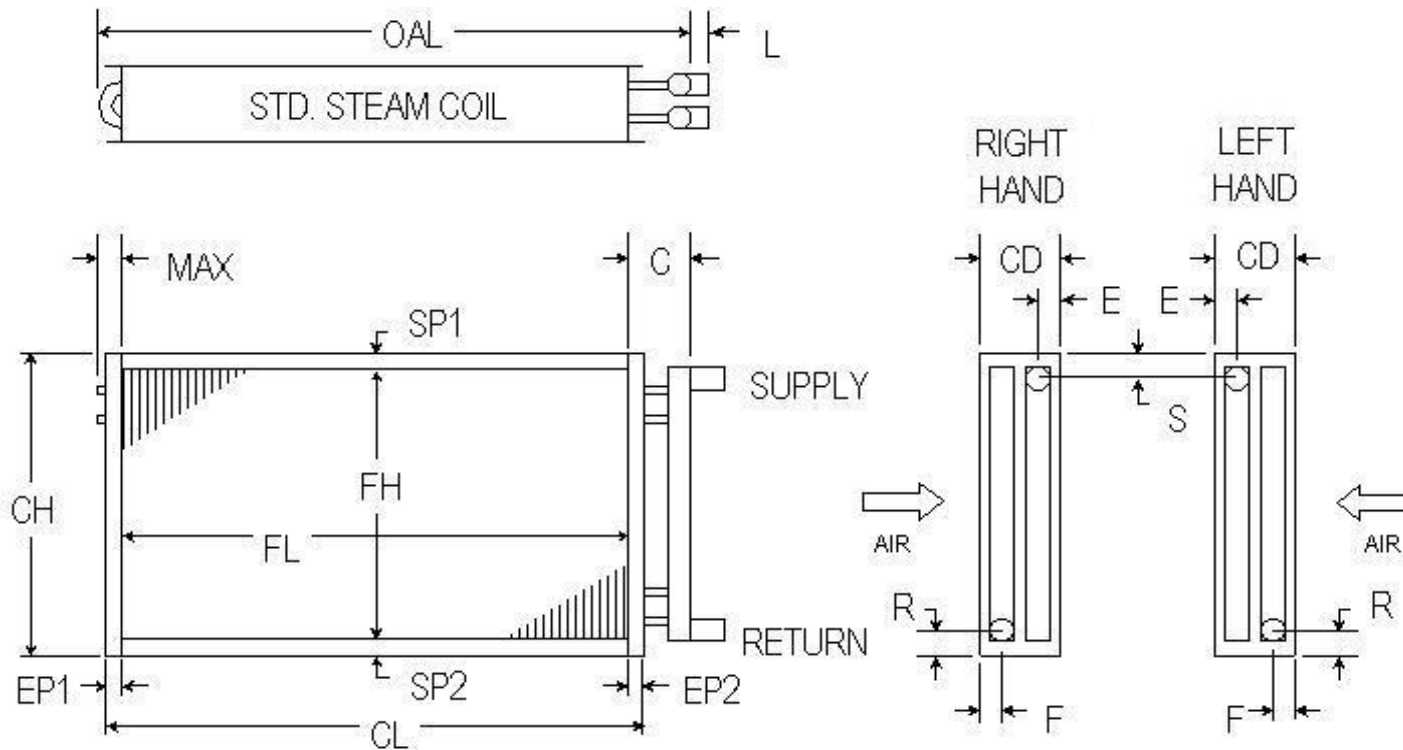



# STEAM COILS



ROWS AVAILABLE	1	2	3	4	5
	6	8	10	12	
FPI AVAILABLE	6	7	8	9	10
	11	12	13	14	
TUBES OD & Wall Thickness COPPER ONLY	5/8	.020 .035		.025 .049	
	1/2	.016			
FINS Material & Thickness	ALUM.	.006		.010	
	COPPER	.006			
CASING	16 GA. GALV. STEEL 16 GA. STAINLESS STEEL				
HEADERS COPPER ONLY	5/8	7/8	1 1/8		
	1 3/8	1 5/8	2 1/8		
	2 5/8	3 1/8			

DIMENSIONAL DATA IN INCHES																SUPPLY		RETURN		CONNECTION SIZES				
ITEM	QTY	ROWS	FPI	SP1	FH	SP2	CH	EP1	FL	EP2	CL	MAX	C	OAL	L	CD	S	E	R	F	MPT	SWEAT	FPT	
																					SUPPLY	RETURN	CU	
																							STL	
P.O. #								CUSTOMER														 <p>Right Fit. Right Now.</p>		
W.O. #								MODEL NO.																
APPROVED BY								TAG:																
DATE								NOTES																
Performance Data	CFM				EDB					LDB				CAPACITY							STEAM PRESSURE (psig)			